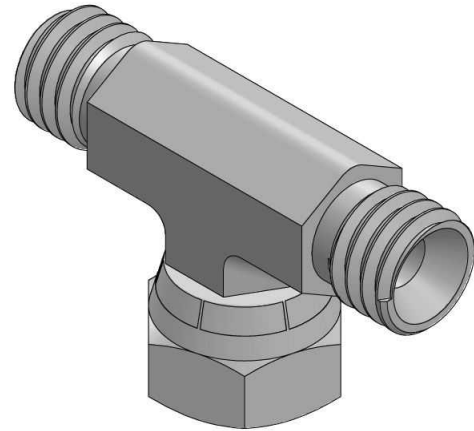
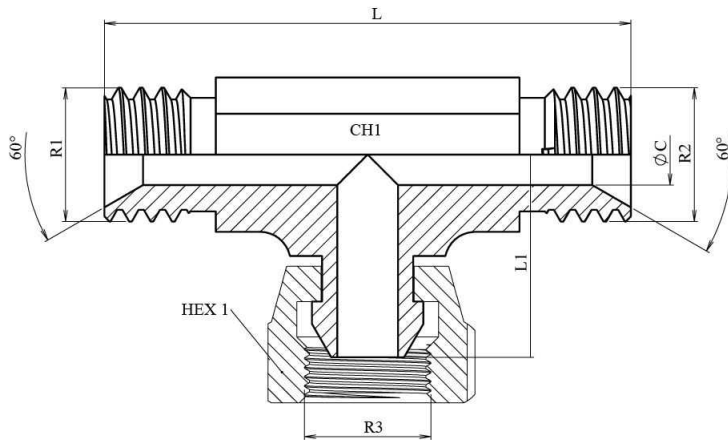


**Brunch tee BSP Male-swivel female-male (60°)
forge**

Carbon steel



Part nº	R1	R2	R3	L	L1	HEX 1	CH1	ØC
S122402	1/8" BSP	1/8" BSP	1/8" BSP	45	22,5	14	11	3,5
S122404	1/4" BSP	1/4" BSP	1/4" BSP	54	24	19	14	4,7
S122406	3/8" BSP	3/8" BSP	3/8" BSP	60	30	22	17	8
S122408	1/2" BSP	1/2" BSP	1/2" BSP	70	35	27	22	11
S122412	3/4" BSP	3/4" BSP	3/4" BSP	86	38	32	27	16
S122416	1" BSP	1" BSP	1" BSP	94	49	41	36	22
S122420	1"1/4 BSP	1"1/4 BSP	1"1/4 BSP	104	54	50	46	26
S122424	1" 1/2 BSP	1" 1/2 BSP	1" 1/2 BSP	120	58	55	50	32
S122432	2" BSP	2" BSP	2" BSP	149,5	60	70	64	46